

SVS VALVE PLUG FORM A 18MM FIELD-WIREABLE

24V LED+Z-Diode M16x1.5

Artikkelnummer: 7000-29001-0000000

Vekt: 0,037 kg

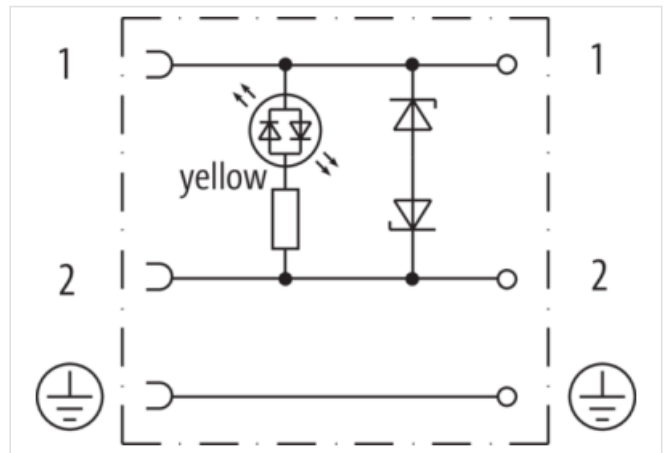
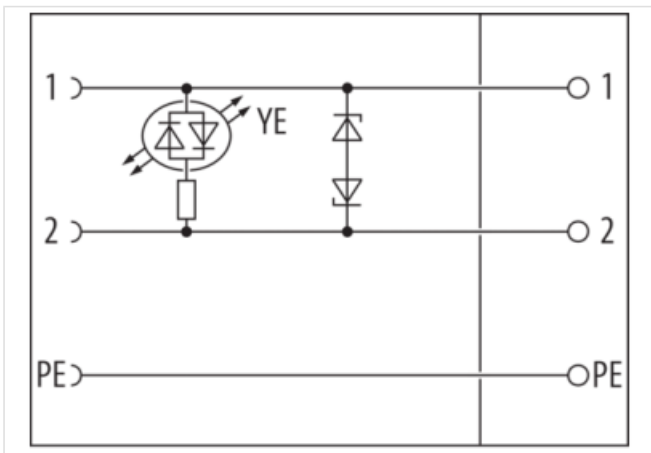
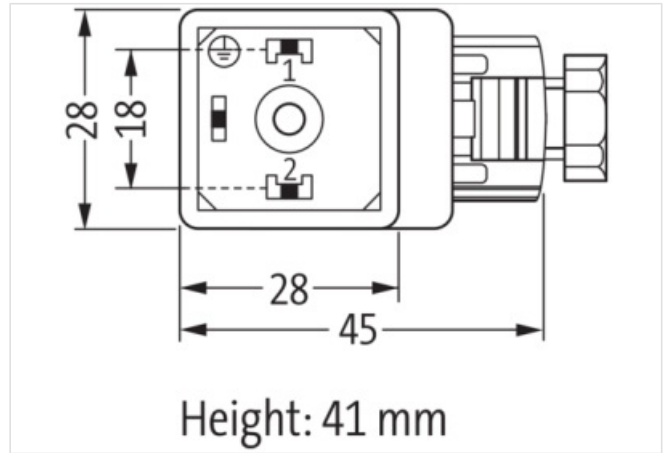
Opprinnelsesland: CN

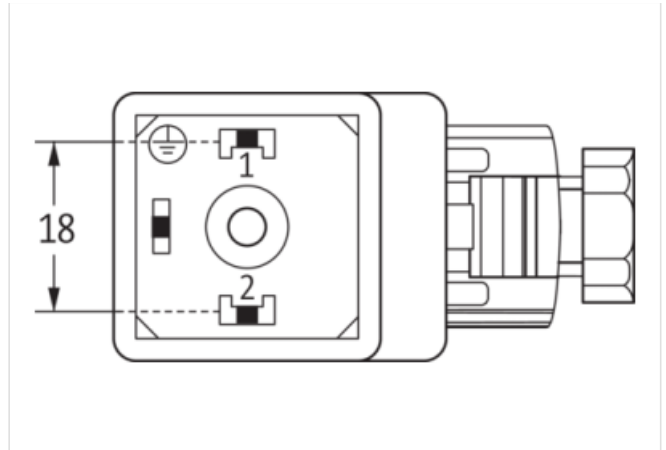
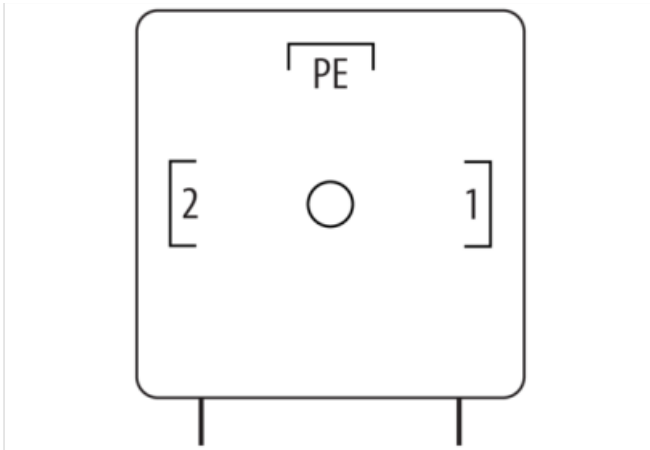
Model designation: MSVS-EB1Z-M16

24 V AC/DC $\pm 25\%$

[Link til produkt](#)

Illustrasjon





Produktet kan avvike fra bildet

Side 1

Mounting method	pluggable, screwed
Degree of protection (EN IEC 60529)	IP65

Handelsinformasjon

URL Webshop	https://shop.murrelektronik.com/7000-29001-000000
EAN	4048879187688
Pakkestørrelse	1
Tolltariffnummer	85366990

Electrical data | Supply

Operating voltage AC	24 V
Operating voltage DC	24 V
Current operating per contact max.	4 A

Diagnostics

Status indication LED	yellow
-----------------------	--------

Installation | Connection

Tightening torque	0,4 Nm
Tightening torque clamping screw	0,2 Nm
Mounting set	M3x31
Connection information	Wire end ferrules

Installation | Pin assignment

No. of poles	PE
--------------	----

Device protection | Electrical

Additional condition protection degree	inserted, screwed
Pollution Degree	3
Material group (IEC 60664-1)	I

Mechanical data | Mounting data

Clamping range min.	5 mm
Clamping range max.	10 mm

Environmental characteristics | Climatic

Operating temperature min.	-20 °C
Operating temperature max.	60 °C

Important installation notes

Note on bending radius	Attention: Observe the permissible bending radii when laying cables, as the IP protection class can be endangered by excessive bending forces.
Note on strain relief	Protect the connectors by suitable measures from mechanical loads, e.g. by the usage of cable ties.

Conformity

Opplysningene i dette databladet er utarbeidet med størst mulig omhu. All informasjon gis uten ansvar for eventuelle feil og mangler. 30.12.2025

Product standard

EN 175301-803