



Rubinerterie Italiane Velatta SpA
————— since 1950 —————

>> **YOU need the BEST**

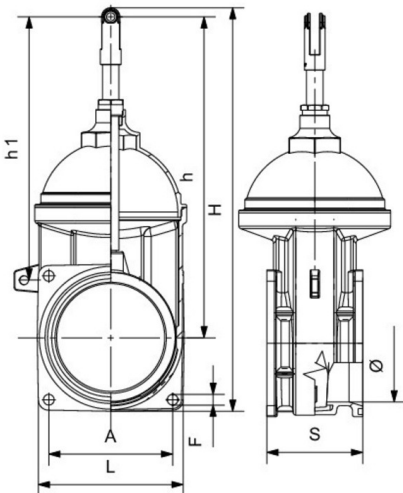
Diamante
Series



RIV 20

Great capacity two-flange piston gate valve
 with O-ring gaskets

» Tech drawings and tables



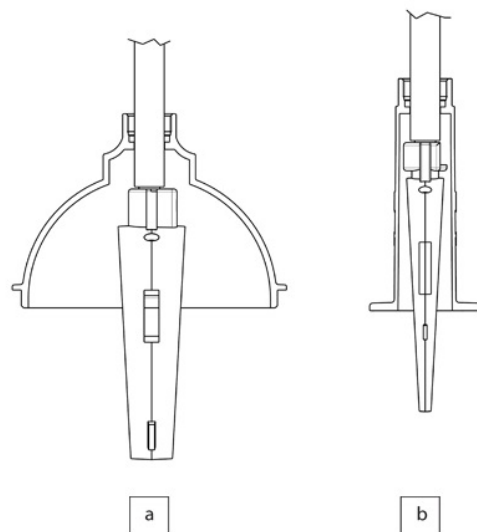
DN	Codice	Ø	H	h	S	L	F	A	h1	PN	KG	P/box
6"	050020000019	143	490	390	116	180	13	150	320	4bar - 60psi	12,178	1

»» Advantages

Thanks to the particular spherical shape of the cap, which offers a great containing volume (pict. A), the clogging of the gate valve is avoided, unlike other types with different design and less capacity (pict. B).

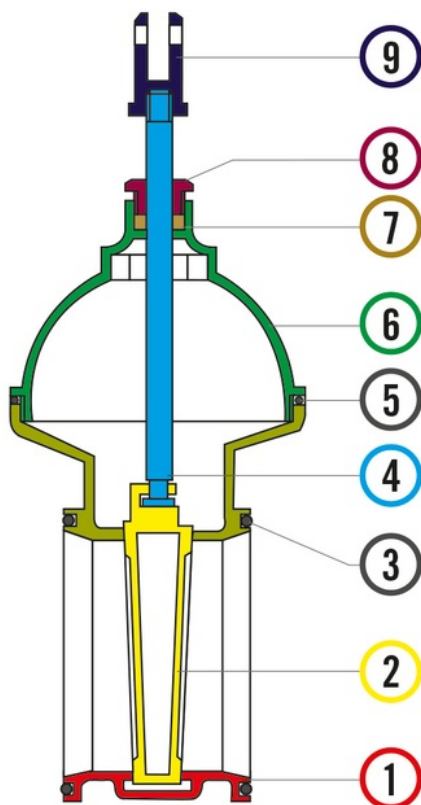
Larger wedge to have a better tightness.

In accordance with 97/23/CE (PED) Directive.



» Technical data

RIV 20



Materials			
1	Body	Brass	CB754S
2	Wedge	Brass	CB754S
3	O-Ring	NBR	
4	Stem	Brass	CW614N
5	O-Ring	NBR	
6	Cap	Brass	CB754S
7	Tow Packing	Fibre	
8	Stuffing-Box	Brass	CW614N
9	Fork	Brass	CW617N

Nr.	Cod.
2	Riv 9816
3	Riv 9858
4	Riv 9829
5	Riv 9835
6	Riv 9823
7	Riv 9840
8	Riv 9844
9	Riv 9854

Connection	Square flange
Limit	0°C (+32°F) without liquid +60°C (+140°F)
Notes	The max. working pressure (PN) means at a room temperature of about 23°C.

» More Products



RIV 23

Great capacity two-flange piston gate valve with double-acting pneumatic jack in aluminium
PPS system
with O-ring gaskets



RIV 24

Great capacity two-flange piston gate valve with double-acting hydraulic jack with O-ring gaskets



RIV 27

Great capacity two-flange piston gate valve with single-acting hydraulic jack with O-ring gaskets



RIV 29

Great capacity two-flange piston gate valve with single-acting hydraulic ram spring jack with O-ring gaskets