



Rubinerie Italiane Velatta SpA

————— since 1950 —————

>> YOU need the BEST

GLadio

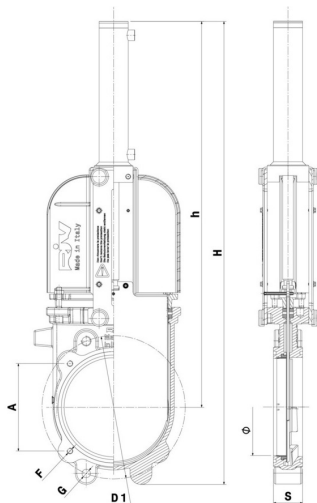
Series



RIV 124

Knife gate valve
 with double-acting hydraulic
 jack
 with O-ring gaskets
 flanges PN 10

» Tech drawings and tables



| DN | Codice | Ø | H | h | S | F | A | D1 | G | PN | KG | P/box |
|-----|--------------|-----|------|------|----|-----|-----|-----|-----|----------------|--------|-------|
| 4" | 050124000016 | 100 | 651 | 545 | 50 | M12 | 150 | 180 | M16 | 10bar - 145psi | 17,066 | 1 |
| 5" | 050124000018 | 125 | 731 | 611 | 50 | M12 | 150 | 210 | M16 | 10bar - 145psi | 19,055 | 1 |
| 6" | 050124000019 | 150 | 801 | 667 | 60 | M12 | 150 | 240 | M20 | 10bar - 145psi | 23,124 | 1 |
| 8" | 050124000020 | 200 | 954 | 795 | 60 | M12 | 180 | 295 | M20 | 8bar - 120psi | 27,913 | 1 |
| 10" | 050124000021 | 250 | 1244 | 1047 | 70 | - | - | 350 | M20 | 7bar - 100psi | 48,699 | 1 |

»» Advantages

GLADIO is a gate valve where, in addition to the aesthetic side, our engineers have managed the particular features and details, trying not to leave anything to chance.

In order to be able to cover a wide range of use, GLADIO is standard equipped with double flanging, one for the fitting with square flange for agricultural use of standard dimensions and a DIN PN 10 one, or ANSI 150 for the American market.

Due to its special design feature, GLADIO is a gate valve called "anti-clogging" and can be installed in any position.

Large-size self-cleaning seat.

Security: GLADIO has a robust protective casing, which completely isolates the moving parts of the gate valve.

Set-up for manoeuvre lever attachments on the valve body.

Stainless steel screws and tie rods to prevent corrosion.

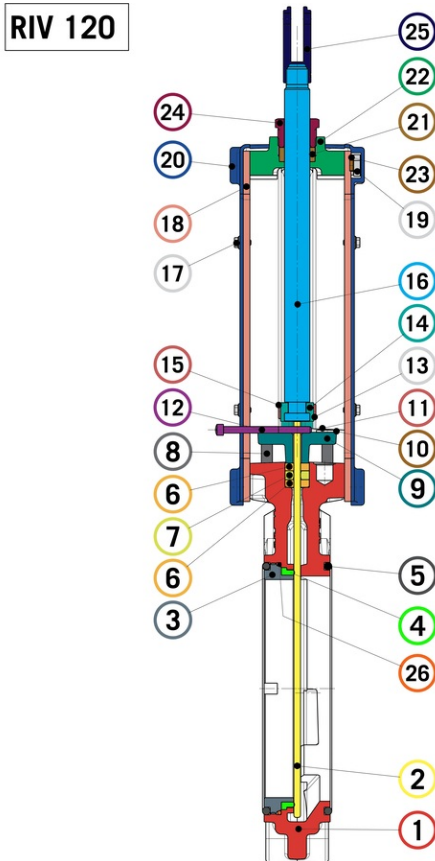
Equipped with an open/closed position indicator.

Simple maintenance: all parts, when worn out, are easily replaceable.

Complies with the Directive 97/23/CE (PED).



>> Technical data



| Materials | | | |
|-----------|--------------------|-----------------|-------------|
| 1 | Body | Cast iron | EN-GJL-250 |
| 2 | Blade | Stainless steel | AISI 304 |
| 3 | Ring | Stainless steel | AISI 304 |
| 4 | Gasket | HNBR | |
| 5 | O-Ring | NBR | |
| 6 | Gland packing | Fibre | |
| 7 | Gasket | NBR | |
| 8 | Stud | Stainless steel | AISI 304 |
| 9 | Gland packing box | Cast iron | EN-GJL-250 |
| 10 | Washer | Stainless steel | AISI 304 |
| 11 | Nut | Stainless steel | AISI 316 |
| 12 | Position indicator | Steel | |
| 13 | Screw | Stainless steel | AISI 304 |
| 14 | Blade connection | Brass | CW617N |
| 15 | Nut | Steel | Zinc-plated |
| 16 | Stem | Brass | CW614N |
| 17 | Screw | Stainless steel | AISI 304 |
| 18 | Clamp | Steel | Zinc-plated |
| 19 | Screw | Stainless steel | AISI 304 |
| 20 | Casing | PP | |
| 21 | Tow packing | Fibre | |
| 22 | Cap | Cast iron | EN-GJL-250 |
| 23 | Washer | Stainless steel | AISI 304 |
| 24 | Stuffing-box | Brass | CW614N |
| 25 | Fork | Brass | CW617N |
| 26 | O-Ring | NBR | |

| | |
|------------|---------------------------------------------------------------------------|
| Connection | Square flange / PN 10 - ANSI 150 |
| Limit | 0°C (+32°F) without liquid +60°C (+140°F) |
| Notes | The max. working pressure (PN) means at a room temperature of about 23°C. |
| Notes | >> RIV 162 Hydraulic jack |
| Notes | MINIMUM OPERATING PRESSURE: 120 Bar (1750 Psi) |
| Notes | MAXIMUM OPERATING PRESSURE: 250 Bar (3620 Psi) |
| Notes | Please use flanges EN1092-1 type 1 (Welding Neck) |

» More Products



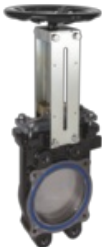
RIV 120

Knife gate valve
 with O-ring gaskets
 flanges PN 10



RIV 119

Knife gate valve without upper part
 with O-ring gaskets
 flanges PN 10



RIV 121

Knife gate valve
 with handwheel
 with O-ring gaskets
 flanges PN 10



RIV 122

Knife gate valve
 with double-acting pneumatic jack
 and position sensors
 with O-ring gaskets
 flanges PN 10



RIV 123

Knife gate valve
 with double-acting pneumatic jack
 with O-ring gaskets
 flanges PN 10



RIV 125

Knife gate valve
 with two double-acting hydraulic
 jacks
 with O-ring gaskets
 flanges PN 10



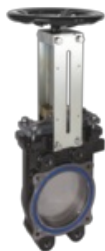
RIV 126

Knife gate valve with electric
 actuator 12V dc
 with O-ring gaskets
 flanges PN 10



RIV 130

Knife gate valve
 with O-ring gaskets
 flanges ANSI 150



RIV 131

Knife gate valve
with handwheel
with O-ring gaskets
flanges ANSI 150



RIV 132

Knife gate valve
with double-acting pneumatic jack
and position sensors
with O-ring gaskets
flanges ANSI 150



RIV 133

Knife gate valve
with double-acting pneumatic jack
with O-ring gaskets
flanges ANSI 150



RIV 134

Knife gate valve
with double-acting hydraulic jack
with O-ring gaskets
flanges ANSI 150