



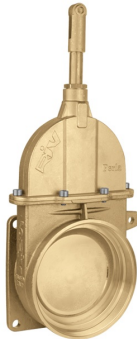
Rubinerterie Italiane Velatta SpA

———— since 1950 ————

>> **YOU need the BEST**

*Perla*

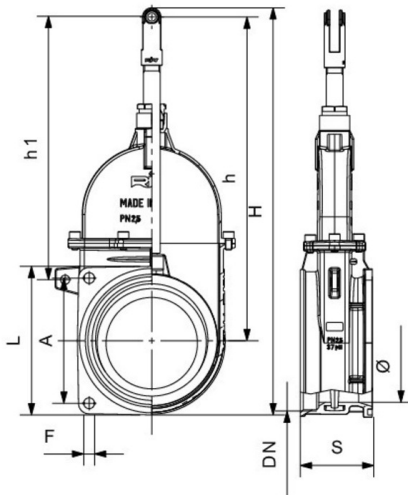
Series



## RIV 40

Piston gate valve  
 flange/thread  
 with O-ring gasket

### » Tech drawings and tables



DN	Codice	Ø	H	h	S	L	F	A	h1	PN	KG	P/box
4"	050040000016	91	385	290	79	180	13	150	235	3bar - 45psi	4,813	1
5"	050040000018	120	450	350	87	180	13	150	295	3bar - 45psi	6,695	1
6"	050040000019	143	490	390	88	180	13	150	320	2,5bar - 37psi	7,387	1

## »» Advantages

Better tightness compared to other gate valves of the same type.

Anticorrosion stainless steel screws.

In accordance with 97/23/CE (PED) Directive.

»» RIV Rubinetterie Italiane Velatta S.p.A  
Via delle Acacie 8 Zona Industriale D4  
P. O.Box 64  
28075 GRIGNASCO (NO) ITALY  
Tel +39 0163 4151  
Fax +39 0163 411914

»» Capitale sociale € 516.000 i.v.  
Reg. Imprese di Novara N° 00469610026  
R.E.A. di Novara N° 170397  
Numero Meccanografico NO009263  
Codice Fiscale 00469610026  
Partita IVA IT 01399720034

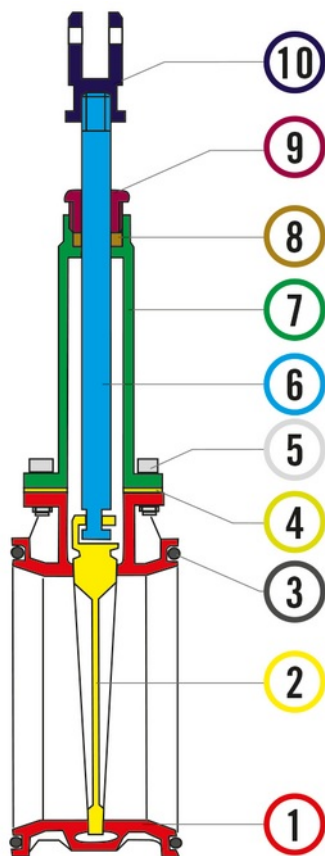
»» E - mail [riv-vg@riv-vg.com](mailto:riv-vg@riv-vg.com)  
[vendite.italia@riv-vg.com](mailto:vendite.italia@riv-vg.com)  
[export.sales@riv-vg.com](mailto:export.sales@riv-vg.com)  
Web [www.riv-vg.com](http://www.riv-vg.com)



» Technical data

**RIV 10**

Nr.	Cod.
2	Riv 9815
3	Riv 9858
4	Riv 9834
5	Riv 9851
6	Riv 9829
7	Riv 9822
8	Riv 9840
9	Riv 9844
10	Riv 9854



Materials			
1	Body	Brass	CB754S
2	Wedge	Brass	CB754S
3	O-Ring	NBR	
4	Gasket	Fibre	
5	Screw	Stainless Steel	AISI 304
6	Stem	Brass	CW614N
7	Cap	Brass	CB754S
8	Tow packing	Fibre	
9	Stuffing-Box	Brass	CW614N
10	Fork	Brass	CW617N

Connection

F: ISO 228/1, ANSI B1.20.1 (NPT)  
 Square flange

Limit

0°C (+32°F) without liquid +60°C (+140°F)

Notes

The max. working pressure (PN) means at a room temperature of about 23°C.

» More Products



**RIV 10**

Two-flange piston gate valve with O-ring gaskets



**RIV 13**

Two-flange piston gate valve with double-acting pneumatic jack in aluminium PPS system with O-ring gaskets



**RIV 14**

Two-flange piston gate valve with double-acting hydraulic jack with O-ring gaskets



**RIV 17**

Two-flange piston gate valve with single-acting hydraulic jack with O-ring gaskets



**RIV 19**

Two-flange piston gate valve with single-acting hydraulic ram spring jack with O-ring gaskets



**RIV 43**

Piston gate valve flange/thread with double-acting pneumatic jack in aluminium PPS system with O-ring gasket



**RIV 44**

Piston gate valve flange/thread with double-acting hydraulic jack with O-ring gasket



**RIV 47**

Piston gate valve flange/thread with single-acting hydraulic jack with O-ring gasket



**RIV 49**

Piston gate valve flange/thread with single-acting hydraulic ram spring jack with O-ring gasket



**RIV 60**

Threaded piston gate valve



**RIV 61**

NPT threaded piston gate valve



**RIV 63**

Threaded piston gate valve with double-acting pneumatic jack in aluminium PPS system



**RIV 64**

Threaded piston gate valve with double-acting hydraulic jack



**RIV 67**

Threaded piston gate valve with single-acting hydraulic jack



**RIV 68**

NPT threaded piston gate valve with double-acting pneumatic jack in aluminium PPS system



**RIV 69**

Threaded piston gate valve with single-acting hydraulic ram spring jack