



Hand pumps

PM2P 5-10-17

Tech sheet

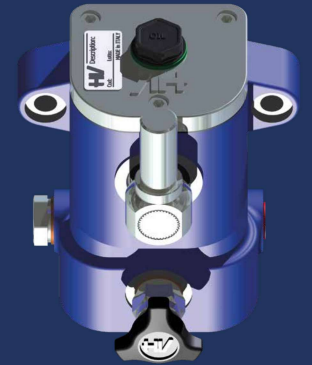
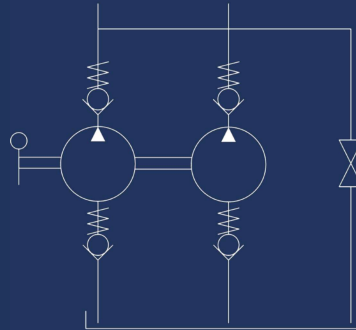
DETAILS

with release hand knob  
double acting hand pump for single acting cylinder  
for fixing both to a wall and to a tank

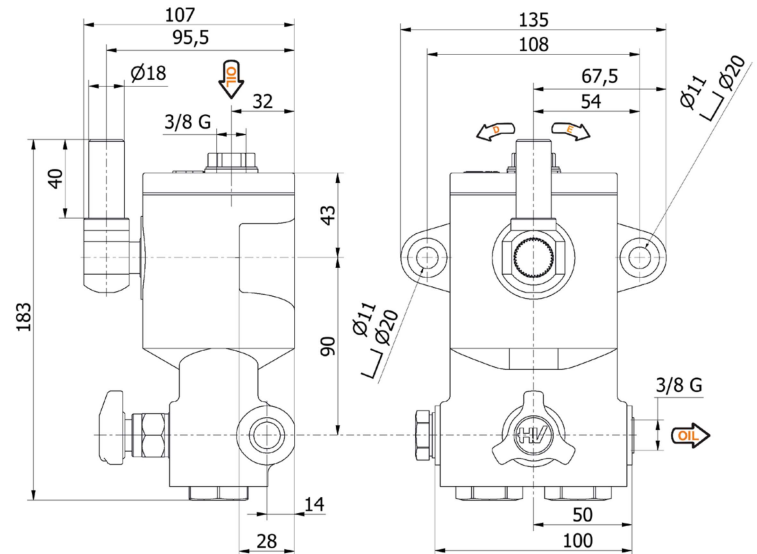
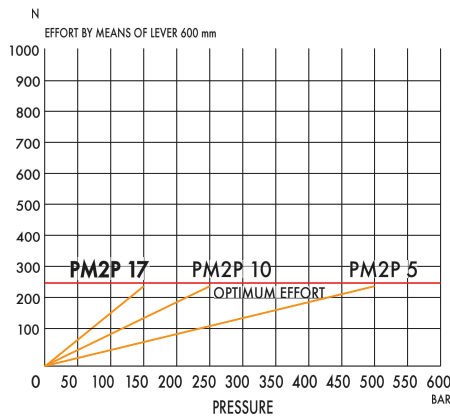
SPECIFICATIONS

Cast iron body  
White zinc plated support lever  
Lever connection  $\varnothing 18$   
White zinc plated external parts  
Standard colour blue

HYDRAULIC DIAGRAM



EFFORT DIAGRAM



DISPLACEMENT cm <sup>3</sup>	A mm	B mm	C mm	D °	E °	ACTUAL DISPLACEMENT cm <sup>3</sup>	PRESSURE BAR		MASS KG	CODE
							OPTIMAL	MAX		
5	--	--	--	36	36	5,510	500	500	4,200	6091.0000
10	--	--	--	36	36	11,650	250	250	4,200	6092.0000
17	--	--	--	36	36	18,210	150	150	4,200	6093.0000

