



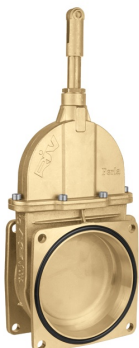
RubINETTERIE Italiane Velatta SpA

———— since 1950 ————

>> **YOU need the BEST**

Perla

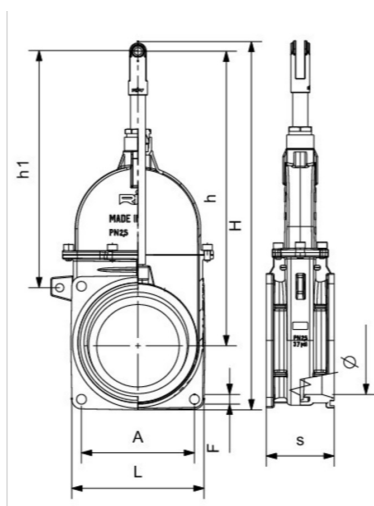
Series



RIV 10

Two-flange piston gate valve
 with O-ring gaskets

» Tech drawings and tables



DN	Codice	Ø	H	h	S	L	F	A	h1	PN	KG	P/box
4"	050010000016	91	385	290	97	180	13	150	235	3bar - 45psi	5,748	1
5"	050010000018	120	450	350	90	180	13	150	295	3bar - 45psi	7,452	1
6"	050010000919	143	490	390	90	180	13	150	320	2,5bar - 37psi	7,577	1
8"	050010000020	191	610	485	111	230	13	180	385	1,5bar - 21psi	16,759	1

»» Advantages

Better tightness compared to other gate valves of the same type.

Anticorrosion stainless steel screws.

In accordance with 97/23/CE (PED) Directive.

»» RIV Rubinetterie Italiane Velatta S.p.A
Via delle Acacie 8 Zona Industriale D4
P. O.Box 64
28075 GRIGNASCO (NO) ITALY
Tel +39 0163 4151
Fax +39 0163 411914

»» Capitale sociale € 516.000 i.v.
Reg. Imprese di Novara N° 00469610026
R.E.A. di Novara N° 170397
Numero Meccanografico NO009263
Codice Fiscale 00469610026
Partita IVA IT 01399720034

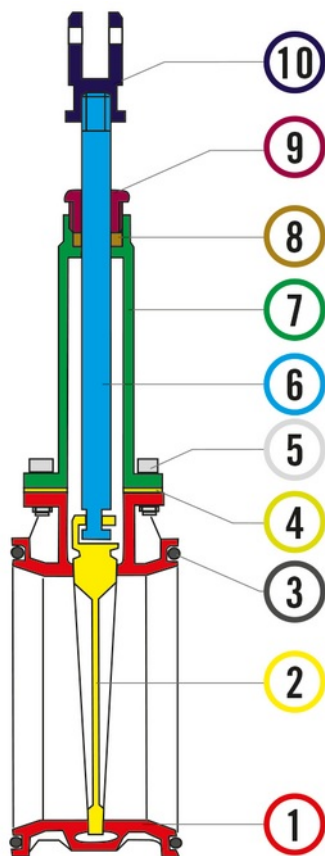
»» E - mail riv-vg@riv-vg.com
vendite.italia@riv-vg.com
export.sales@riv-vg.com
Web www.riv-vg.com



» Technical data

RIV 10

Nr.	Cod.
2	Riv 9815
3	Riv 9858
4	Riv 9834
5	Riv 9851
6	Riv 9829
7	Riv 9822
8	Riv 9840
9	Riv 9844
10	Riv 9854



Materials			
1	Body	Brass	CB754S
2	Wedge	Brass	CB754S
3	O-Ring	NBR	
4	Gasket	Fibre	
5	Screw	Stainless Steel	AISI 304
6	Stem	Brass	CW614N
7	Cap	Brass	CB754S
8	Tow packing	Fibre	
9	Stuffing-Box	Brass	CW614N
10	Fork	Brass	CW617N

Connection

F: ISO 228/1, ANSI B1.20.1 (NPT)
 Square flange

Limit

0°C (+32°F) without liquid +60°C (+140°F)

Notes

The max. working pressure (PN) means at a room temperature of about 23°C.

» More Products



RIV 13

Two-flange piston gate valve
 with double-acting pneumatic jack in
 aluminium
 PPS system
 with O-ring gaskets



RIV 14

Two-flange piston gate valve
 with double-acting hydraulic jack
 with O-ring gaskets



RIV 17

Two-flange piston gate valve
 with single-acting hydraulic jack
 with O-ring gaskets



RIV 19

Two-flange piston gate valve
 with single-acting hydraulic ram
 spring jack
 with O-ring gaskets



RIV 40

Piston gate valve flange/thread
 with O-ring gasket



RIV 43

Piston gate valve flange/thread
 with double-acting pneumatic jack in
 aluminium
 PPS system
 with O-ring gasket



RIV 44

Piston gate valve flange/thread
 with double-acting hydraulic jack
 with O-ring gasket



RIV 47

Piston gate valve flange/thread
 with single-acting hydraulic jack
 with O-ring gasket



RIV 49

Piston gate valve flange/thread with single-acting hydraulic ram spring jack with O-ring gasket



RIV 60

Threaded piston gate valve



RIV 61

NPT threaded piston gate valve



RIV 63

Threaded piston gate valve with double-acting pneumatic jack in aluminium PPS system



RIV 64

Threaded piston gate valve with double-acting hydraulic jack



RIV 67

Threaded piston gate valve with single-acting hydraulic jack



RIV 68

NPT threaded piston gate valve with double-acting pneumatic jack in aluminium PPS system



RIV 69

Threaded piston gate valve with single-acting hydraulic ram spring jack