



Rubinetterie Italiane Velatta SpA

———— since 1950 ————

>> YOU need the BEST

CARROBOTTE & BIOGAS

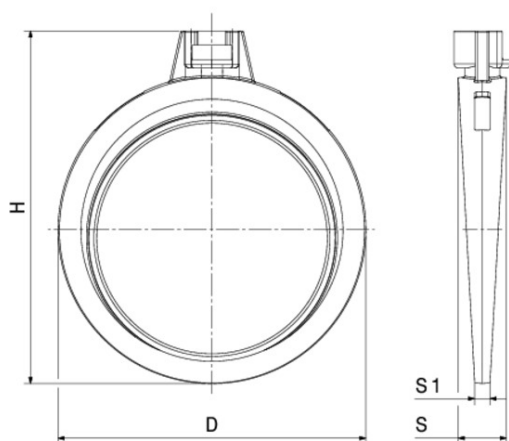
Series



RIV 9815

Wedge
 Perla series

» Tech drawings and tables



DN	Codice	D	H	S	S1	P/box
4"	CNSS30071016	105	127,5	19,2	8,2	1
5"	CNSS31091018	133	156	22,3	8,2	1
6"	CNSS31091019	158	181	24,8	7,8	1
8"	CNSS31091020	214	231,5	41,3	17,3	1

» More Products



RIV 9816

Wedge
 Diamante / Centurion series



RIV 9818

Stainless steel blade
 Gladio series



RIV 9819

Wedge
 Vulcano series



RIV 9822

Cap
 Perla series



RIV 9823

Cap
 Diamante series



RIV 9825

Cap
 Centurion series



RIV 9826

Cap
 Vulcano series



RIV 9829

Stem
 Perla / Diamante / Centurion /
 Vulcano series



RIV 9834
 Gasket for cap
 Perla series



RIV 9835
 O-ring gasket for cap
 Diamante series



RIV 9836
 Blade seal kit
 Gladio series



RIV 9837
 Gasket for cap
 Centurion series



RIV 9839
 Gasket for cap
 Vulcano series



RIV 9840
 Tow packing
 Perla / Diamante / Centurion /
 Vulcano series



RIV 9844
 Stuffing box
 Perla / Diamante / Centurion /
 Vulcano series



RIV 9845
 Locking ring
 Gladio series



RIV 9846

Pair of black casing
 Gladio series



RIV 9847

Seat gasket
 Gladio series



RIV 9848

Screwed locking ring
 Gladio series



RIV 9851

Stainless steel screw
 Perla / Centurion series



RIV 9852

Stainless steel screw
 Vulcano series



RIV 9854

Fork
 Perla / Diamante / Centurion /
 Vulcano / Gladio series



RIV 9858

O-ring gasket for flange
 Perla / Diamante / Centurion /
 Vulcano / Nerone series



RIV 9859

O-ring gasket for flange
 Gladio series



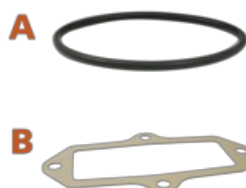
RIV 9863

Double-disk wedge
 Turchese series



RIV 9864

Inner lever
 Turchese series



RIV 9865

Gasket for cap
 Turchese series



RIV 9866

Cap
 Turchese series



RIV 9868

Washer for stuffing box
 Turchese series



RIV 9869

Tow packing
 Turchese series



RIV 9870

Stem
 Turchese series



RIV 9871

Stuffing box
 Turchese series



RIV 9874
 Screw
 Turchese series



RIV 9875
 Black steel lever handle
 Turchese series



RIV 9877
 Brass lever handle
 Turchese series



RIV 9881
 Brass lever handle
 Nerone series



RIV 9889
 Handle for cup
 Ocean series



RIV 9890
 Cup
 Ocean series



RIV 9891
 Blind cup
 Giada series



RIV 9892
 Cup with drain
 Giada series



RIV 9895

O-ring gasket for cup
 Ocean series



RIV 9896

O-ring gasket for cup
 Giada series



RIV 9897

Ring for cup
 Giada series



RIV 9898

Drain ball valve with hose-
 connection
 Ocean / Giada series



RIV 9899

Plug for cup
 Ocean / Giada series



RIV 9900

Bent hose-connection
 Giada series



RIV 9901

Bent hose-connection
 Ocean series



RIV 9904

Straight hose-connection
 Giada series



RIV 9905

Straight hose-connection
 Ocean / Gold series



RIV 9908

O-ring gasket for hose-connection
 Giada series



RIV 9909

O-ring gasket for hose-connection
 Ocean series



RIV 9910

Swivel nut
 Giada / Acquamarina series



RIV 9911

Plastic floating ball
 Acquamarina / Gold series



RIV 9912

Rubber floating ball
 Ocean / Giada / Acquamarina / Gold series



RIV 9913

Seal kit for pneumatic jack
 Smeraldo series



RIV 9914

Seal kit for hydraulic jack
 Smeraldo series



RIV 9915

Seal kit for pneumatic jack
 Titanium series



RIV 9920

Kit consisting of 2 magnetic sensors
 for pneumatic jack
 Smeraldo series



RIV 9921

Kit consisting of 2 magnetic sensors
 for pneumatic jack
 Titanium series



RIV 9922

Sight glass for overflow valve
 Gold series



RIV 9923

Cap for vacuum relief valve
 Ambra series



RIV 9924

Polycarbonate sight glass for level
 indicator
 Zaffiro series



RIV 9925

Knob for level indicator
 Zaffiro series



RIV 9926

Disc for level indicator
 Zaffiro series

» YOU need the BEST



RIV 9927

Gasket for level indicator
Zaffiro series



RIV 9928

Sight glass for level indicator
Zaffiro series



RIV 9930

Stainless steel floating ball
Gold series



RIV 9931

Float for level indicator
Zaffiro series