



In line single-acting flow control

FT 257/5

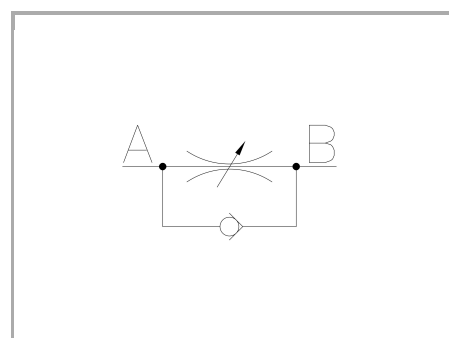
Single-acting flow control valves available from size 1/8" to 2" BSPP size, max. working pressure 400 Bar / 320 Bar, adjustable oil flow rate from 0,5 to 200 Lt/min. (depending on the size)

Single-acting control

In line or panel mounting

Carbon steel

Connections: F - F Female - Female



Technical information

Technical description

The valves FT 257/5 have the function of regulating and, if necessary, to shut-off the flow in one direction, allowing a free flow in the opposite direction. Appreciated for their aesthetic characteristics that indulge positively the constructive directions of the equipments on which they are installed, they are also a reliable solution. The proper dimensioning has made possible to obtain, in a little space, a great mechanic resistance of the components. The spring in high-resistance material is housed in such a way that it does not close as a pack during the opening of the taper single-acting shutter valve. Like all the valves of the series FT 257 they ensure:

- efficient metallic sealing;
- flow linearity at the opening;
- accurate control for a wide range of flow rate, thanks to the double reference system
- wide range of the flow rate control;
- impossibility for the needle to leave its seat even in the max. opening position;
- stable positioning thanks to a screw inside the knob;
- quick panel mounting (the ring nuts (G) are supplied on request). The check valve is set to 0,5 bar.

Materials

| | |
|---|---|
| CORPO VALVOLA / VALVE BODY | Acciaio/Steel 11 S Mn Pb 37-UNI EN 10087 |
| SPILO DI REGOLAZIONE / ADJUSTING NEEDLE | Acciaio legato/Alloy steel |
| GUARNIZIONI / GASKETS | Di serie NBR - A richiesta FPM/Standard NBR-on demand FPM |
| ANELLI ANTIESTRUSIONE / ANTIEXTRUSION RINGS | PTFE |
| VALVOLA RITEGNO / CHECK VALVE | Acciaio / Steel 39 Ni Cr Mo 3-UNI EN 10083 |
| MOLLA / SPRING | Acciaio / Steel C 85-UNI EN 10089 |
| FONDELLO FILETTATO / THREADED LOCKING RING | Acciaio / Steel 35 S Mn Pb 10-UNI EN 10087 |
| MANOPOLA TIPO MA - RA / KNOB TYPE MA - RA | Alluminio/Aluminum GD AlSi12- UNI EN AB 46100 |
| MANOPOLA TIPO MP / KNOB TYPE MP | ABS |

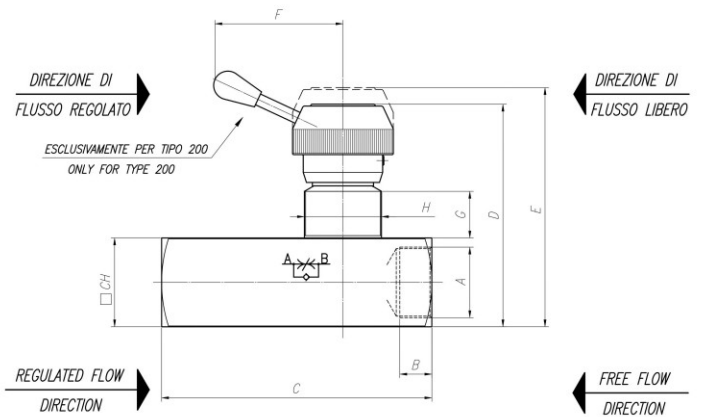
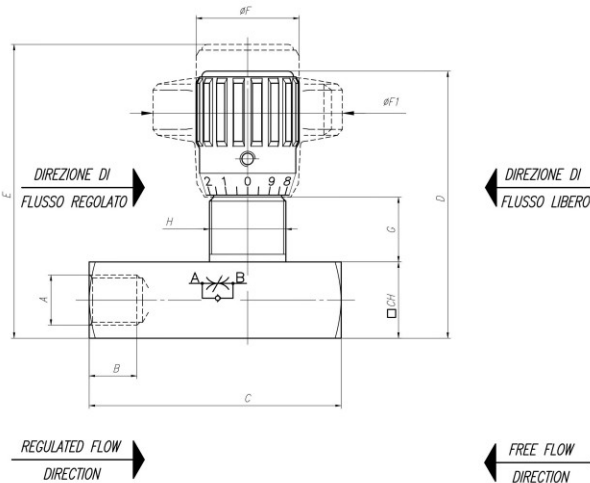


Technical data

| TIPO / TYPE | PRESSIONE ESERCIZIO BAR / WORKING PRESSURE BAR | MIN. PRESSIONE SCOPPIO BAR / MIN. BURSTING PRESSURE BAR | TEMPERATURA ESERCIZIO / WORKING TEMPERATURE | GRADO DI FILTRAZIONE μm / FILTRATION GRADE μm |
|-------------|--|---|---|---|
| 18 | 400 | 1600 | -20°C/+100°C | 25 |
| 14 | 400 | 1600 | -20°C/+100°C | 25 |
| 38 | 400 | 1600 | -20°C/+100°C | 25 |
| 12 | 400 | 1600 | -20°C/+100°C | 25 |
| 34 | 400 | 1600 | -20°C/+100°C | 25 |
| 100 | 320 | 1300 | -20°C/+100°C | 25 |
| 114 | 320 | 1300 | -20°C/+100°C | 25 |
| 112 | 320 | 1300 | -20°C/+100°C | 25 |
| 200 | 320 | 1300 | -20°C/+100°C | 25 |

Dimensional tables and drawings

| TIPO / TYPE | A UNI 338 | B | C | D | E | $\varnothing F$ | $\varnothing F1$ | G | H | CH | PESO / WEIGHT KG |
|-------------|--------------|------|-------|-------|-------|-----------------|------------------|------|---------|----|---------------------|
| 18 | 1/8" G | 8,5 | 50 | 59 | 64 | 22 | 40 | 13,5 | M17x1 | 16 | 0,130 |
| 14 | 1/4" G | 12,5 | 66 | 71 | 78 | 27 | 50 | 17 | M20x1 | 20 | 0,250 |
| 38 | 3/8" G | 12,5 | 79 | 84 | 93 | 33 | 70 | 19,5 | M25x1,5 | 25 | 0,500 |
| 12 | 1/2" G | 15,5 | 94,5 | 97 | 107 | 38 | 80 | 21 | M30x1,5 | 30 | 0,750 |
| 34 | 3/4" G | 17 | 115 | 120,5 | 132,5 | 47 | 100 | 26,5 | M40x1,5 | 40 | 1,600 |
| 100 | 1" G | 20 | 138,5 | 151,5 | 167,5 | 58 | 120 | 35 | M50x1,5 | 50 | 3,050 |
| 114 | 1 1/4" G | 22 | 157 | 156,5 | 172,5 | 58 | 120 | 35 | M50x1,5 | 55 | 3,750 |
| 112 | 1 1/2" G | 24 | 190 | 167 | 181 | 58 | 120 | 35 | M55x2 | 65 | 5,760 |
| 200 | 2" G | 27 | 228 | 188 | 202 | 108 | / | 44 | M65x2 | 75 | 10,000 |





Flow rate curves

